
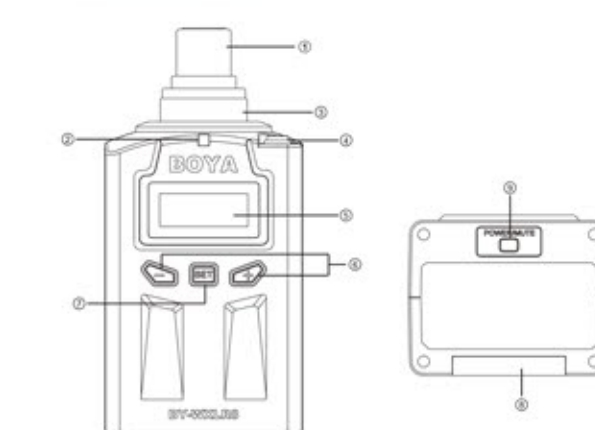


**BY-WXLR8
Plug-on Transmitter**



23

Product Structure



1. **Audio XLR input connector**
Connect a microphone or a line output connector of an audio mixer, etc.

2. **Power LED**
1) The power LED glows blue when the unit is on.
2) The power LED of transmitter glows red when low power.

For more details about LED indicator, please refer to "Power LED" on page 4.

3. **Knurled ring**

24

4. **Line In**

5. **LCD display**
For more details, please refer to "LCD Display Operation Guide" on page 26.

6. **+ (+ selection)/ - (- selection) buttons**
Press these buttons to set the transmission channel, or attenuation level of the input signal.

7. **SET button**
Press to change and enter display parameters.
For details, please see "How to set up channel, VOL, STEREO and MONO" on page 22.

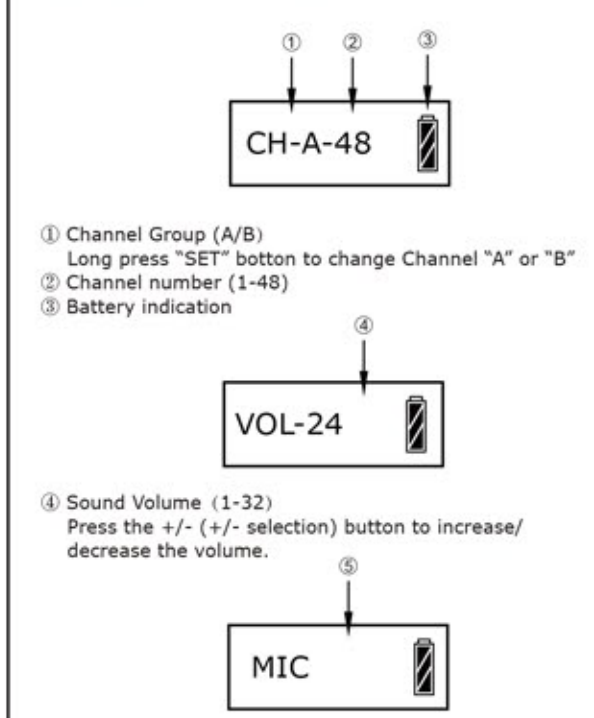
8. **Battery compartment**
Accommodates two AA batteries.

9. **Power/Mute button**

Function	Operation
Power ON	Long press button
Power OFF	Long press button until it turns off
Mute ON	Short press button
Mute OFF	

25

LCD Display Operation Guide.



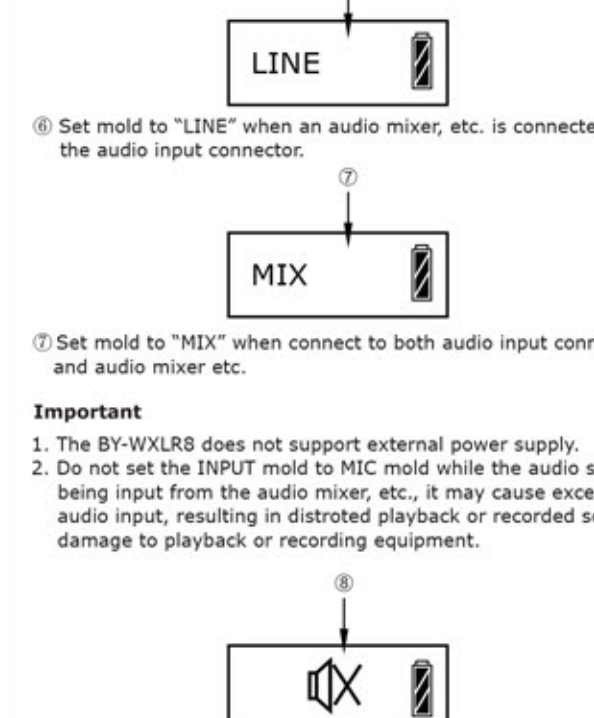
① Channel Group (A/B)
Long press "SET" button to change Channel "A" or "B"

② Channel number (1-48)
③ Battery indication

④ Sound Volume (1-32)
Press the +/- (+/- selection) button to increase/decrease the volume.

⑤ Set mold to "MIC" when a microphone is connected to the audio input connector.

26



⑥ Set mold to "LINE" when an audio mixer, etc. is connected to the audio input connector.

⑦ Set mold to "MIX" when connect to both audio input connector and audio mixer etc.

Important

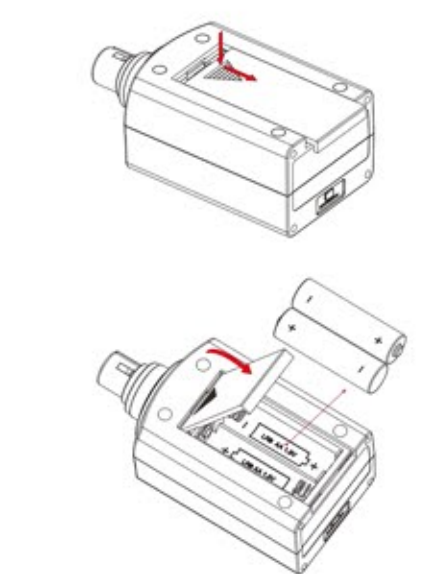
1. The BY-WXLR8 does not support external power supply.
2. Do not set the INPUT mold to MIC mold while the audio signal is being input from the audio mixer, etc., it may cause excessive audio input, resulting in distorted playback or recorded sound or damage to playback or recording equipment.

⑧ Mute On

27

Installing Batteries
The transmitter is each powered by two AA batteries. To install batteries, please follow these steps:

- Slide the battery cover to release the lock and open the battery compartment.
- Insert two new AA batteries into the battery compartment by matching their polarities to the indications inside the compartment, and then close the cover.

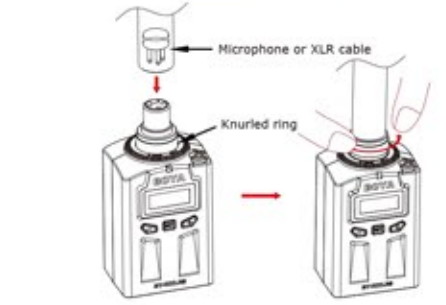


28

To attach a microphone or a XLR cable

The transmitter is each powered by two AA batteries. To install batteries, please follow these steps:

- Slide the battery cover to release the lock and open the battery compartment.
- Insert two new AA batteries into the battery compartment by matching their polarities to the indications inside the compartment, and then close the cover.



Push the microphone or cable connector into the XLR audio input jack of the BY-WXLR8, then turn the knurled ring in a anti-clockwise direction, gently tightening it so the microphone or XLR cable base is seated firmly in place.

To detach a microphone or a XLR cable
Turn the knurled ring in a clockwise direction, and pull off the microphone or cable slowly.

Note: Please turn off the transmitter before attaching or removing the microphone.

Connecting the Plug-on Transmitter and the Receiver
To connect the Plug-on Transmitter and the receiver, follow these steps:

- Turn on the transmitter and the receiver.
- Set the plug-on transmitter and the receiver to the same channel.
If you are experiencing interference or noise on one channel, try a different channel.

29

Jiayz 深圳市长丰影像器材有限公司

产品/零件名称	BY-WM8 BY-WXLR8 BY-WM8共用说明书	比例	1 : 1	版本	V01
工程图号	BY-WM8 BY-WXLR8 BY-WM8共用说明书 V01	物料描述	105G双铜纸 骑马钉	44页	
物料编号	1F14015BY0092	尺寸/用量	尺寸: 95x125mm	1PCS	
制图人/日期	吴蒙蒙/2017-7-29	审核/日期			