

Stereo VideoMic Pro

Compact Stereo On-Camera Microphone

AUSTRALIA
107 Carnarvon st, Silverwater NSW 2128 Australia
Ph: +61 2 9648 5855 Fx: +61 2 9648 2455

USA
PO Box 91028, Long Beach CA 90809-1028
Ph: +1 562 364 7400 Fax: +1 888 412 4664

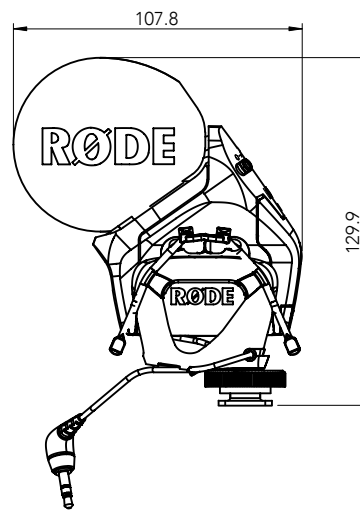
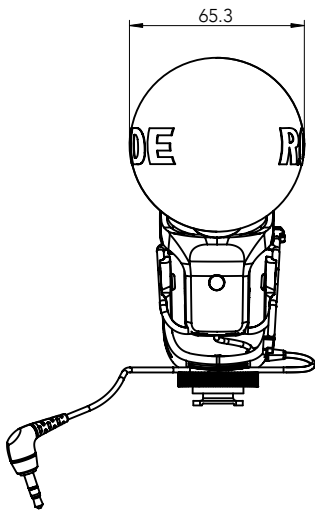


Features

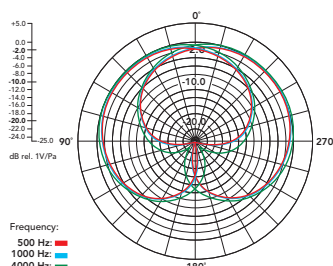
- Broadcast recording quality on-camera microphone
- Matched pair 1/2" condenser capsules in XY stereo configuration
- Ultra lightweight, compact form factor
- Two step High Pass Filter (flat, 75Hz)
- Three position level control (-10dB, 0, +20dB)
- 9V battery powered - over 100 hours use (alkaline)
- Integrated shock mounting
- Integrated foam windscreen
- 3.5mm stereo mini-jack output
- Billeted metal camera shoe mount with 3/8" thread for easy boompole mounting
- Designed and manufactured in Australia
- Free 10 year extended warranty when you register online at www.rodemic.com/warranty

Specifications

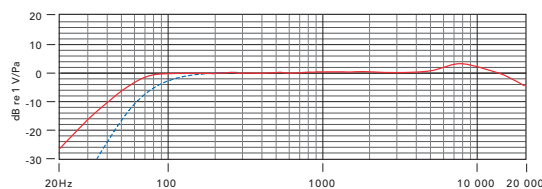
Acoustic Principle	Pressure Gradient
Directional Pattern	XY Cardioid (coincident)
Frequency Range	40Hz ~ 20,000Hz (selectable HPF@75Hz)
Sensitivity	-38dB (12.6mV@94dB SPL) ±2dB re 1V/Pa @ 1kHz
Output Impedance	200Ω
Equivalent Noise	20dBA SPL (A - weighted per IEC651)
Maximum Output	+4.2dBu (@ 1% THD into 1kΩ)
Dynamic Range	100dB (per IEC651)
Maximum SPL	134dB (@ 1kHz, 1% THD into 1kΩ load)
Signal/Noise	73dB SPL (A - weighted per IEC651)
Power Req.	9V alkaline battery
Dimensions	66mm × 108mm × 130mm (2.6" × 4.25" × 5.1")
Output Connection	3.5mm stereo mini-jack
Net Weight	115g (0.25lb)



Polar Pattern



Frequency Response



RØDE
MICROPHONES